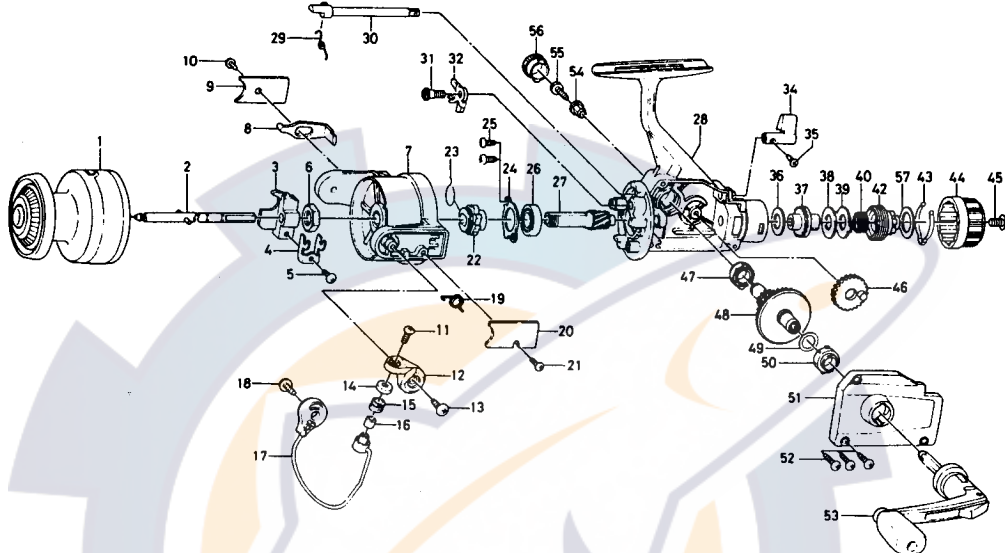


SPINNING REEL SG1050/1350



Key No.	Parts No.	Parts Name	Key No.	Parts No.	Parts Name
1	B84-1701	Spool	32	B903001	Anti-reverse claw
2	B83-4501	Main shaft	34	B83-3401	Anti-reverse lever
3	B62-0702	Oscillating slider	35	B12-8201	Anti-reverse lever screw
4	B62-0801	Oscillating slider retainer	36	B48-9901	Drag washer A
5	351-1804	Oscillating slider screw	37	B83-3602	Click gear
6	B67-9401	Rotor nut	38	B76-0501	Drag washer B
7	B81-8401	Rotor	39	B49-0102	Drag washer C
8	B83-4301	Bail kick lever	40	141-8721	Drag knobspring
9	B74-7303	Bail kick lever cover	42	B74-7603	Drag screw
10	B83-4401	Bail kick lever cover screw	43	B74-7702	Drag washer spring
11	B67-9303	Bail screw	44	B82-5504	Drag knob
12	B68-1102	Arm lever	45	352-1105	Drag knob screw
13	B84-2101	Arm lever screw	46	B74-2501	Oscillating gear
14	B68-5703	Roller collar	47	B84-3901	Bearing
15	250-3921	Line roller	48	B83-4701	Drive gear
16	B45-1501	Roller collar	49	373-7800	Drive gear washer
17	B84-1501	Bail	50	B84-3901	Bearing
18	B84-2101	Bail holder screw	51	B83-4802	Body cover
19	B18-7702	Bail spring	52	B83-5001	Body cover screw
20	B45-0902	Bail spring cover	53	B83-5104	Handle
21	B83-4401	Bail spring cover screw	54	501-8501	Handle collar
22	B61-8001	Ratchet	55	363-8511	Handle screw
23	145-0501	Anti-reverse claw spring	56	B67-9803	Handle screw cap
24	B45-6401	Ball bearing ret. washer	57	B90-8201	Drag washer D
25	B83-4402	Ball bearing ret. washer screw			
26	637-5701	Ball bearing			
27	B83-3501	Pinion gear			
28	B83-3302	Body			
29	B44-8501	Anti-reverse cam spring			
30	B44-8401	Anti-reverse cam			
31	B61-8101	Anti-reverse claw screw			

SG1350 Special Parts		
1	B84-2001	Spool
7	B81-8601	Rotor
8	B83-5701	Bail kick lever
17	B84-1801	Bail
28	B83-3304	Body
51	B83-4804	Body cover